

EQUP. TYPE R390A/URR EXP. NO.

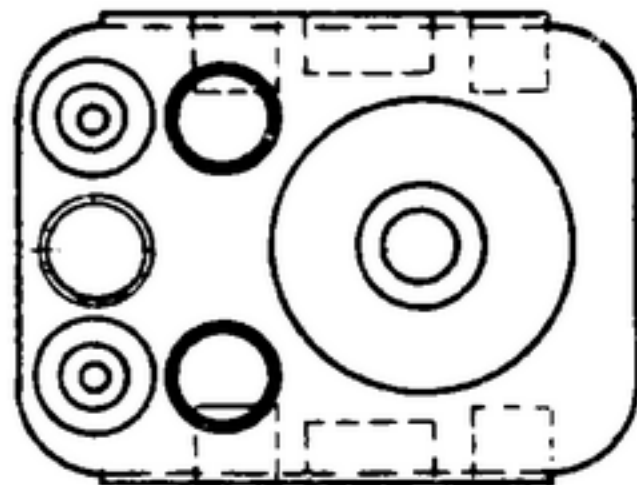
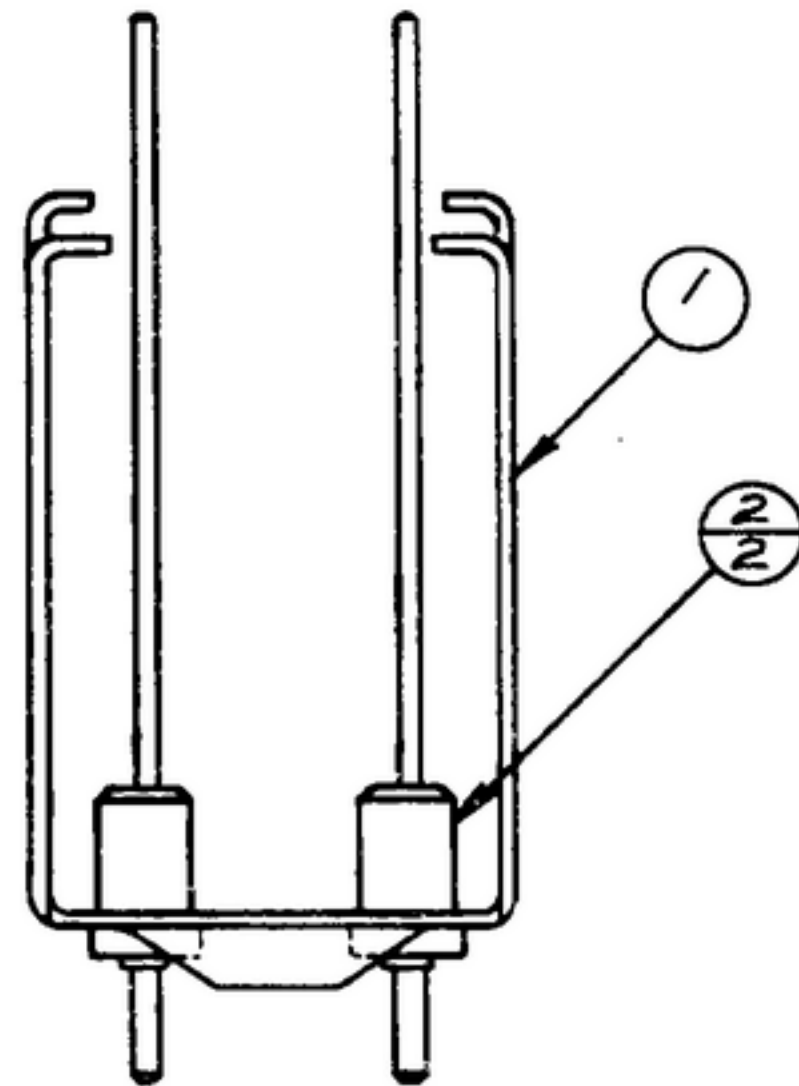
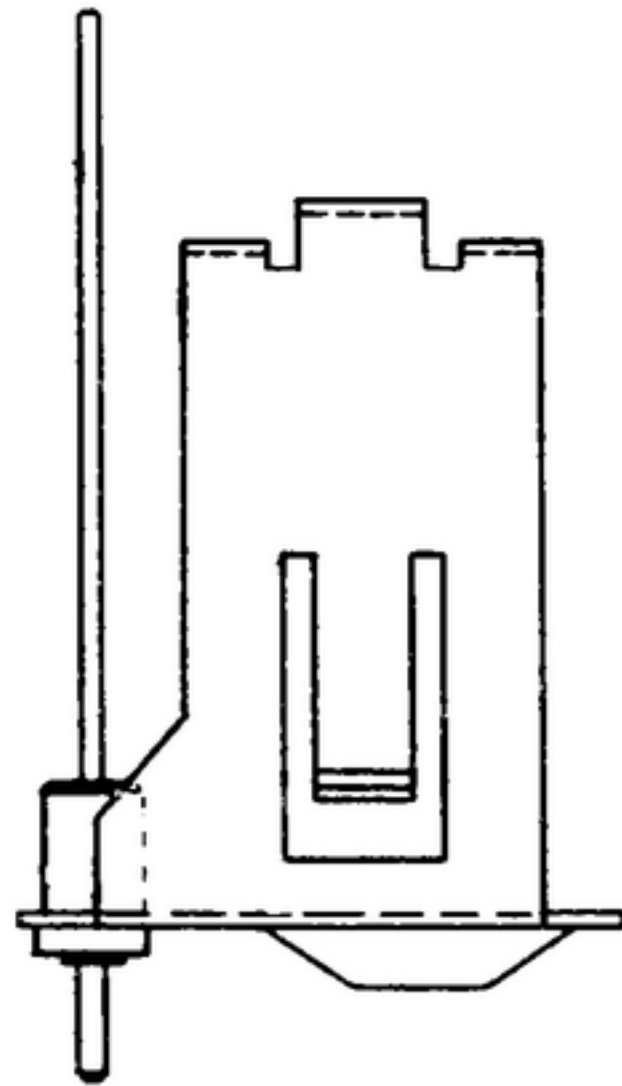
Doc. 540-7866-002

NOTICE: WHEN GOVERNMENT DRAWINGS, SPECIFICATIONS, OR OTHER DATA ARE USED FOR ANY PURPOSE OTHER THAN IN CONNECTION WITH A DEFINITELY RELATED GOVERNMENT PROCUREMENT OPERATION, THE UNITED STATES GOVERNMENT THEREBY DISCLAIMS ANY RESPONSIBILITY FOR ANY OBLIGATION WHATSOEVER AND THE FACT THAT THE GOVERNMENT MAY HAVE FORMULATED, FURNISHED, OR IN ANY WAY SUPPLIED THE SAID DRAWINGS, SPECIFICATIONS, OR OTHER DATA IS NOT TO BE REGARDED BY REPLICATION OR OTHERWISE AS IN ANY MANNER LICENSEING THE HOLDER OR ANY OTHER PERSON OR CORPORATION, OR CONFERRING ANY RIGHTS OR PRIVILEGES TO REPRODUCE, USE, OR SELL ANY PATENTED INVENTION THAT MAY IN ANY WAY BE RELATED THERETO.

THIS DOCUMENT HAS BEEN PURCHASED BY THE GOVERNMENT AND MAY BE REPRODUCED AND USED IN CONNECTION WITH ANY GOVERNMENT PROCUREMENT OR BRIGHTSHANE OPERATION.

\* FOR INFORMATION ONLY, CONTRACTOR MAY AT HIS OPTION DEVIATE FROM THESE PROCESS DETAILS.

REVISIONS			
SYM	DESCRIPTION	DATE	APPROVAL



NOTES:  
 1. PRESS TERMINALS (2) INTO FRAME (1) AS SHOWN.  
 2. IN ALL SPLIT BALLOONS TOP FIGURE IS MATERIAL LIST ITEM INDICATOR & BOTTOM FIGURE IS QUANTITY.

<del>559 0224 002</del>	2	2	SM-B-249270	TERMINAL-INSULATED			
<del>558 0427 002</del>	1	1	SM-G-249076	FRAME-COIL			
<small>COLLINS PART NO.</small>	<small>ITEM</small>	<small>QTY</small>	<small>PART NO.</small>	<small>DESCRIPTION</small>	<small>MATL</small>	<small>MATL SPEC</small>	

LIST OF MATERIAL

COLLINS PART NO. 558 0412 002

COLLINS NO.	QTY	NEXT ASSY	USED ON
<del>558 0450 004</del>	1	SM-D-249099	
<del>558 0419 004</del>	1	SM-D-249098	SC-D-249725
APPLICATION			

DRAWN HENRY CHECKED RHM APPROVED

UNLESS OTHERWISE SPECIFIED:  
 DECIMAL DIMENSIONS INCLUDING HOLE SIZES MAY VARY ±.008  
 FRACTIONAL DIMENSIONS INCLUDING HOLE SIZES MAY VARY ±1/64  
 MACHINED ANGLES MAY VARY ±.1°  
 SHEARED ANGLES MAY VARY ±.25°  
 BROKEN ANGLES MAY VARY ±.1°  
 ECCENTRICITY BETWEEN ANY DIAMETERS ON THE SAME CENTERLINE SHALL NOT EXCEED .010 TOTAL INDICATOR READING.  
 ALL DIMENSIONS ARE FINISH DIMENSIONS INCLUDING APPLIED FINISH AND ARE GIVEN IN INCHES.

COLLINS-RADIO CO.  
 6820 S. RICHMOND AVE.  
 19214-P.H.  
 51-93

SIGNAL CORPS  
 REVIEWED PME  
 APPROVED HLV  
PME

DATE 16 DEC 55 SCALE 2/1

FRAME ASSY-I.F.

DEPARTMENT OF THE ARMY  
 SIGNAL CORPS ENGINEERING  
 LABORATORIES  
 FORT MONMOUTH NEW JERSEY

SM-B-249061